

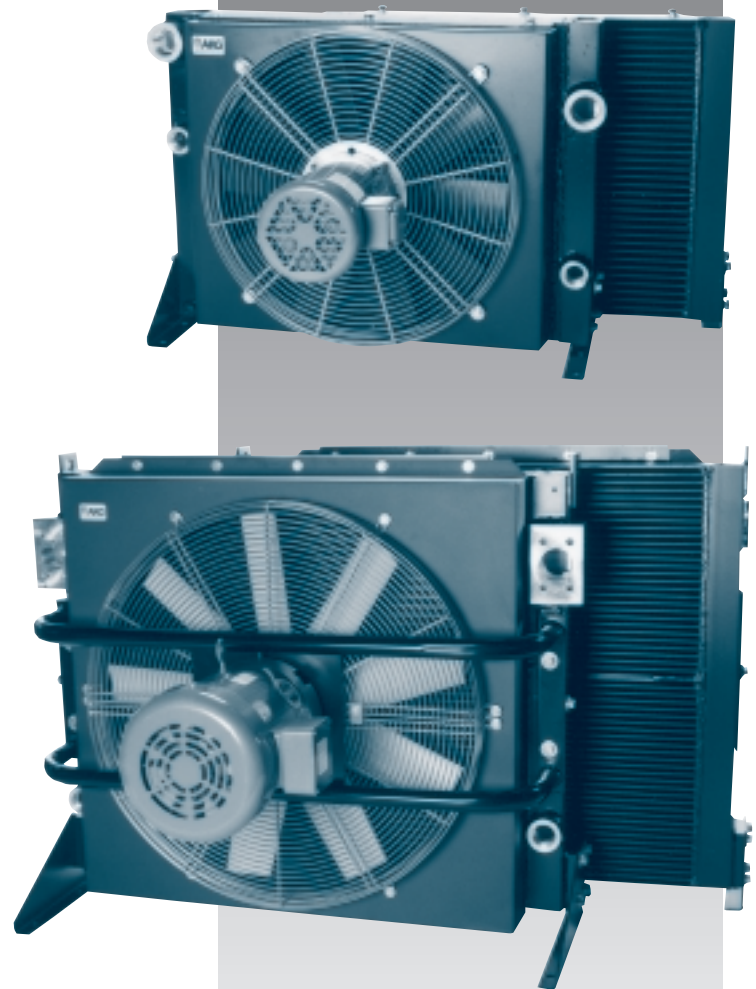


COMBINATION

SERIES

Aftercooler/Oil Cooler

- ▶ Complete Package includes aftercooler/oil cooler, fan, motor, guards and mounting brackets.
- ▶ Convert Water cooled compressors to air cooled. Eliminate corrosion and expensive water bills.
- ▶ Remote Mount the cooling package from the compressor to reduce noise, or to a cleaner, cooler, more convenient location.
- ▶ Canadian Registry Numbers Available



Selection Procedures

The AOC Series is a complete aftercooler and oil cooler package designed to work on most models of rotary air compressors. To select the appropriate model, simply determine the compressor horsepower, and select the model from the chart below.

Air Compressor Horsepower	Recommended AOC Series Model Number
5 - 7.5 HP	AOC - 8
10 - 15 HP	AOC - 15
20 - 30 HP	AOC - 30
40 HP	AOC - 40
50 - 75 HP	AOC - 75
100 - 125 HP	AOC - 125
150 - 175 HP	AOC - 175
200 - 250 HP	AOC - 250
300 - 350 HP	AOC - 350

Sizing Notes, Recommendations Are Based On The Following:

Temperatures:

Ambient Air Temperature + 100° F = Compressor Oil Inlet Temperature.
 Ambient Air Temperature + 15° F = Compressor Air Outlet Temperature.

Flows:

Horsepower x .25 = 2-5 GPM (bearing oil cooling) = Oil Flow
 Compressor Horsepower x 4.5 = SCFM Air Flow

Heat Removal:

Oil Cooler = Compressor Horsepower x 1.15 (motor service factor) x .83
 (this assumes 83% of input horsepower is rejected to heat)

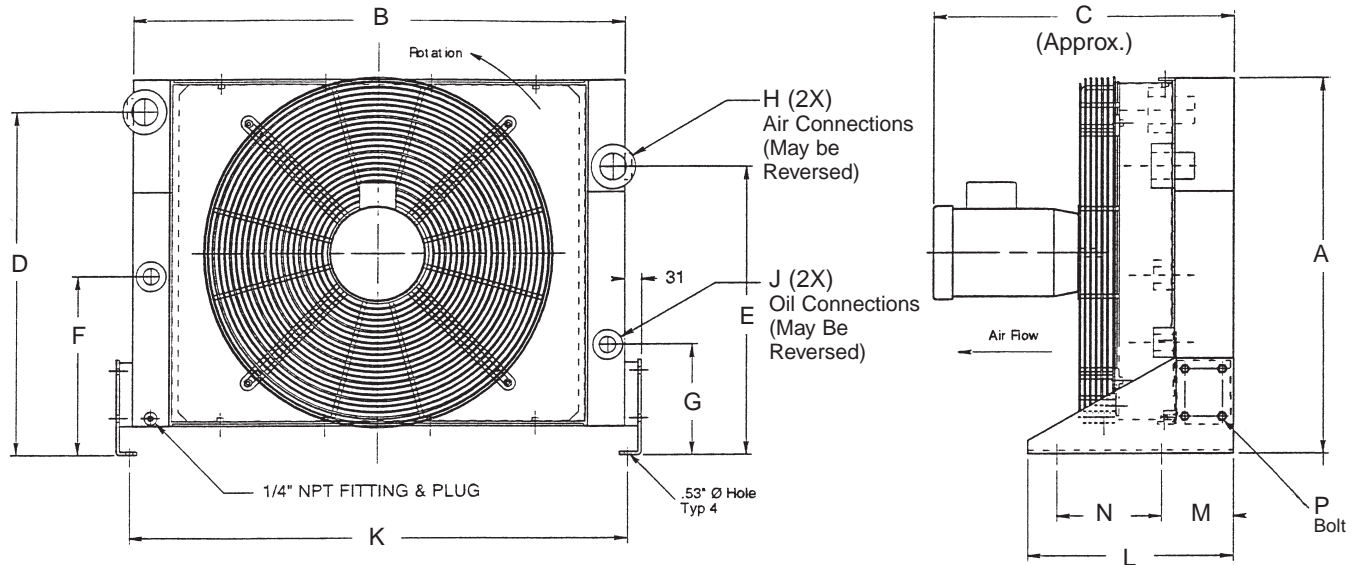
Aftercooler = Compressor Horsepower x 1.15 (motor service factor) x .17
 (this assumes 17% of input horsepower is rejected to heat)

Electric Motor Data

Model Size	HP RPM	Motor Frame	SINGLE PHASE			THREE PHASE			
			Voltage	Hz	Full Load Amps 230 V.	Voltage	Hz	Full Load Amps 230 V.	
AOC-8	1/3 3250	IEC 63	115/230	60	2.6	208-230/460		60	1.2
						200/220		50	
						380/440			
AOC-15	1/2 3250	IEC 71	115-208/230	60	3.4	208-230/460		60	2.0
						200/220		50	
						380/440			
AOC-30	1/2 1725	NEMA 56C	115-208/230	60	4.4	208-230/460		60	3.4
						190/200	208/220	50	
						380/400	416/440		
AOC-40	1 1725	NEMA 56C	115-208/230	60	6.4	208-230/460		60	6.2
						190/200	208/220	50	
						380/400	416/440		
AOC-75	2 1725	NEMA 56C	115/230	60	10.0	208-230/460		60	13.4
						190/200	208	50	
						380/400	416		
AOC-125	5 1725	NEMA 184TC	230	60	23.0	208-230/460		60	19.2
						190/200	208	50	
						380/400	416		
AOC-175	7.5 1725	NEMA 213TC	Consult Factory	60		208-230/460		60	19.2
						190/200	208	50	
						380/400	416		
AOC-250	7.5 1725	NEMA 213TC	Consult Factory	60		208-230/460		60	25.0
						190/200	208	50	
						380/400	416		
AOC-350	10 1725	NEMA 215TC	Consult Factory	60		208-230/460		60	25.0
						190/200	208	50	
						380/400	416		

- ▶ Electric motors are totally enclosed, and are not thermally protected.
- ▶ Actual ratings vary with motor brand. Check motor nameplate for actual ratings.
- ▶ Motor RPM is reduced by 1/6 for 50 Hz service.

Dimensions



MODEL SIZE	A	B	C	D	E	F	G	H	J	K	L	M	N	P	APPROX. WEIGHTS	
															NET	SHIPPING
AOC-8	12.52	15.75	14.72	11.06	11.06	6.85	3.35	1.00 NPT	0.50 NPT	14.53	7.36	3.07	3.50	M8X10 BOLT (4PL)	30	40
AOC-15	16.25	19.88	16.69	14.80	13.62	10.47	3.50		18.58	50					60	
AOC-30	20.63	26.36	17.75	18.86	15.55	10.67	3.86	1.50 NPT	1.00 NPT	25.20	9.02	4.17	3.74	M10X15 BOLT (8PL)	100	145
AOC-40	22.52	30.31	18.74	20.67	17.09	13.70	5.79			29.09					130	170
AOC-75	28.19	37.00	22.60	25.79	21.69	13.50	8.35	2.00 NPT	1.25 NPT	37.48	15.47	5.40	7.87	M12X20 BOLT (8PL)	200	250
AOC-125	36.30	40.94	24.76	31.10	31.10	10.12	4.29			41.42					300	350
AOC-175	37.44	42.91	29.84	30.87	30.87	9.29	9.29	2.50* SAE	1.50 NPT	43.39	20.00	7.80	10.00	M12X20 BOLT (8PL)	400	460
AOC-250	44.37	48.82	30.28	37.87	34.88	12.48	9.37	3.00* SAE	2.00 NPT	49.29					530	600
AOC-350	57.48	52.76	32.48	51.97	43.86	17.72	17.72		2.50 SAE	2.50 SAE	50.55	20.00	7.80	10.00	3/4-10 1 1/2 BOLT (8PL)	755

*SAE 4-BOLT FLANGES. MAY BE CONVERTED TO NPT BY ADDING - AD TO THE END OF THE MODEL CODE AS SHOWN BELOW.

Specifications

RATINGS

MAXIMUM WORKING PRESSURE 250 PSI

MAXIMUM WORKING TEMPERATURE 250 °F

MATERIALS

COOLER Aluminum

FAN BLADE Polypropylene Blades

SHROUD Powder Painted Steel

Aluminum Hub

FAN GUARD Zinc Plated Steel

MOUNTING BRACKETS Powder Painted Steel

Ordering Information

AOC SERIES
STANDARD

—

MODEL SIZE
SELECTED

—

MOTOR DATA
0 = NO MOTOR
C = CORE ONLY
1 = SINGLE PHASE
3 = THREE PHASE
575 = 575 VOLT

—

CUSTOM FEATURE CODE
R = REVERSED AIR FLOW
AD = SAE TO NPT ADAPTORS INSTALLED
H = HERESITE COATING/CORE ASSEMBLY
CRN = CANADIAN REGISTRY, 250 PSI
CRS = CANADIAN REGISTRY, 150 PSI