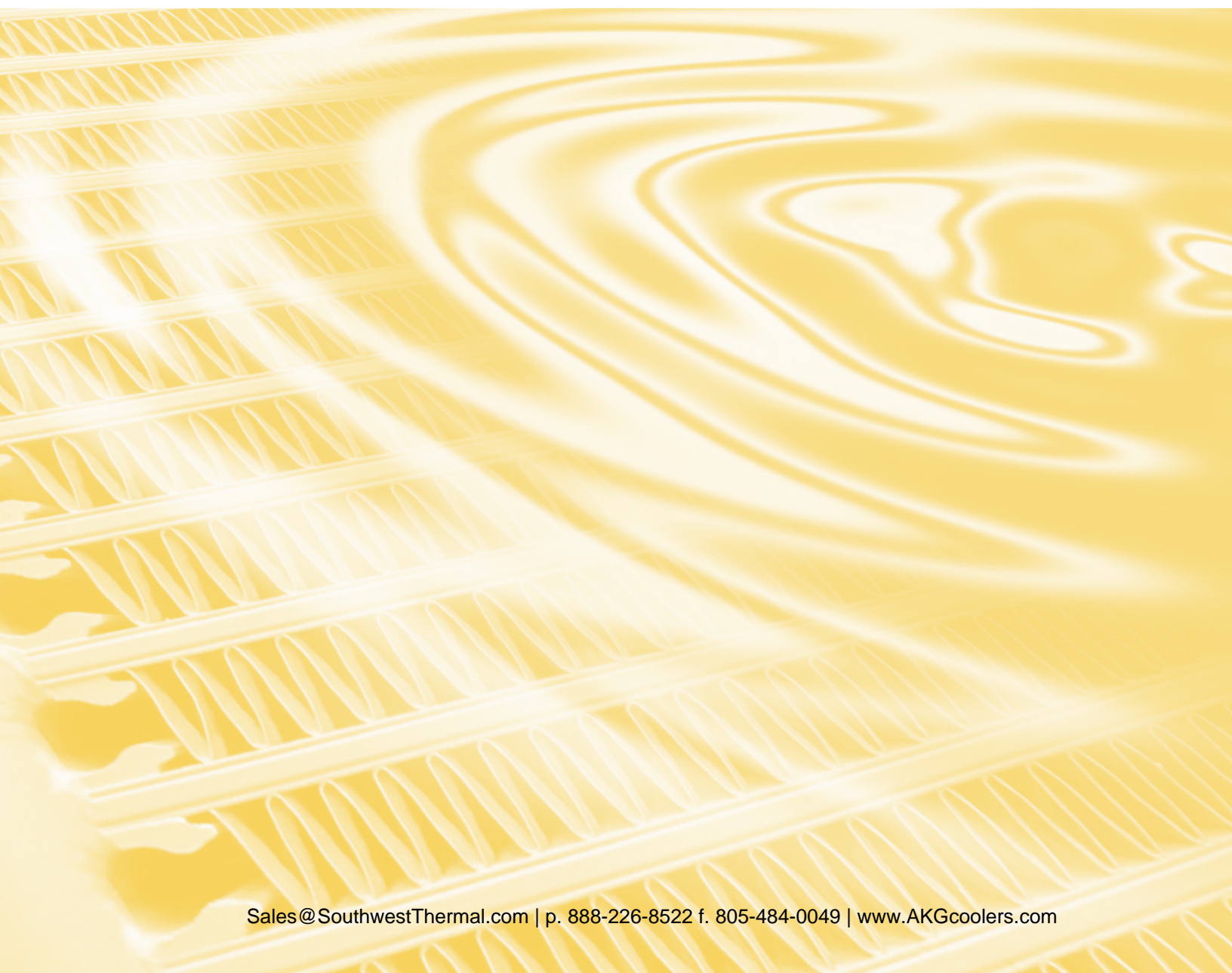




OFFLINE SERIES
GLOBAL STANDARD COOLER
Cool-Line AP



OIL-TO-AIR COOLING SYSTEMS

PRODUCT INFORMATION

AKG Offline Series, based on AKG Cool-Line Series, is a standard line of products from the market leader in high performance aluminum cooling systems. AKG is best known for its world-wide presence, German engineering and extremely reliable product quality on the one hand and very competitive prices on the other hand.

The AKG Offline series consist of different offline cooler models to be used for cooling, filtration or lubrication circuits at low pressures in industrial or mobile applications. These Offline coolers are also available with noise-optimized models.

All of AKG's solutions have been developed with state-of-the-art technology, produced in compliance with the highest quality standards and are comprehensively tested in the company's own research and test facility.

FEATURES OF THE AP-SERIES

- High-Performance Aluminum cooling assemblies complete with aluminum cooler, fan, guard, integrated gerotor pump/motor and optional filter.
- The heat is transferred from the medium to be cooled to the ambient air.
- Ideal for systems with varying flow rates or pressure spikes in return lines. Applications include cooling gearboxes, lube oil, hydraulic presses, CNC machining, injection molding presses, etc.
- Suitable for low pressure applications with wide viscosity ranges (up to 2000 cSt)
- Optional filters available on all Offline cooler models.
- Integrated cooling system with pump flows ranging from 8.9 gpm up to 45.1 gpm.
- Cooler/pump combination can be exposed to operating pressures of up to 15 bar.

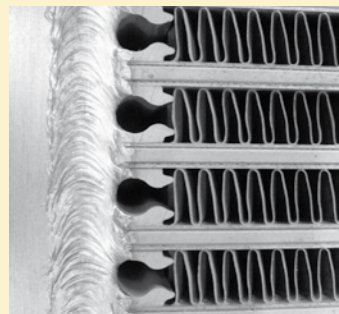
BENEFITS

- Highly flexible, ready-to-connect complete offline cooling package. Requires minimal space and installation effort.
- Compact and robust design, field-tested during many years of use in rugged real life conditions.
- Largest and most comprehensive series of Offline recirculation coolers.
- Best heat transfer results per given cooler size due to comprehensive research and development.
- Available from stock or at short notice.
- As a standard, equipped with AKG's patented **double-life** hollow sections designed to increase cooler service life.
- Noise-optimized models available (Low-noise APL series).

AP/APL OFFLINE SERIES FEATURES/BENEFITS

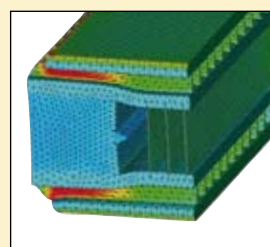
- New AKG Thermal Systems Offline Cooler series are available in cooler with integrated pump models as well as cooler with integrated pump and filter models.
- New AP optimized series offline coolers provides the best HEAT TRANSFER per given cooler size in the industry.
- New APL low noise series offline coolers offer slower fan speeds for reduced noise level & lower fan HP requirements.
- New AP/APL optimized series offline coolers have proprietary R & D designed, engineered and tested internal and external fins unique to AKG THERMAL SYSTEM coolers.
- All AP/APL series offline coolers are available with FILTER option.
- AP Series Offline Coolers available with 575V, Explosion proof, and custom motors. Contact factory for more information.
- AP Series Pump/Motor skid unit available as stand alone item. User can convert Standard Cooler to Offline Cooler using Pump/Motor skid unit. Contact factory for more information.
- New AP/APL optimized series offline coolers offer the largest, most comprehensive offline cooler size ranges with competitive pricing and deliveries from stock.

PATENTED FLEXIBLE AKG HOLLOW PROFILE

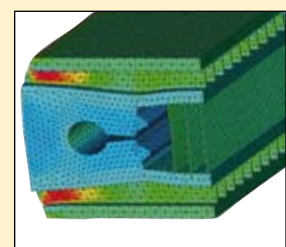


Cool-Line uses patented AKG hollow profiles to reduce local peak strains. This way the strength of heat exchangers is significantly increased and their service life time considerably prolonged.

- **Reduced Strain:**
Strength calculations show that when using AKG hollow profiles maximum strain is reduced by a factor of 2
- **Prolonged Service Life Time:**
Extensive rig tests have shown that service life time increases by a factor ranging from 3 to 5

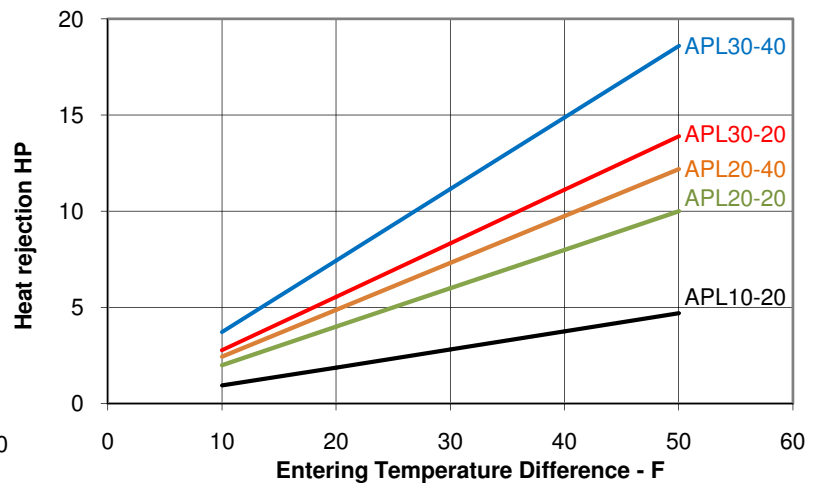
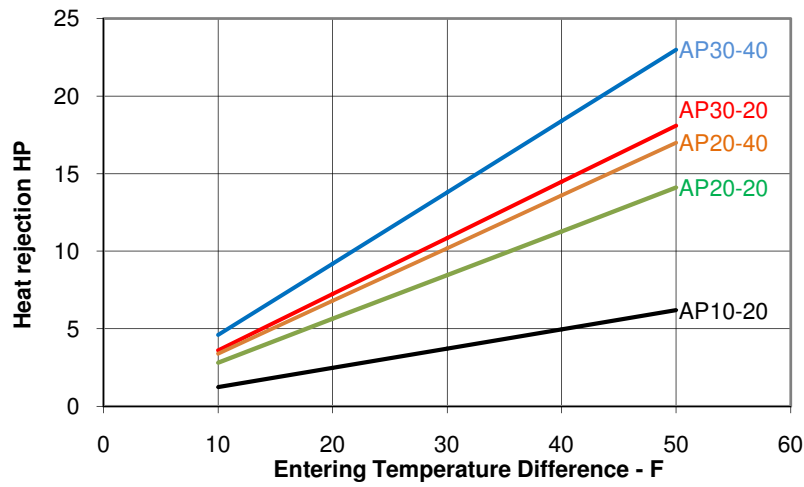


with standard profile



with hollow profile

PERFORMANCE DATA AP/APL10 TO AP/APL30

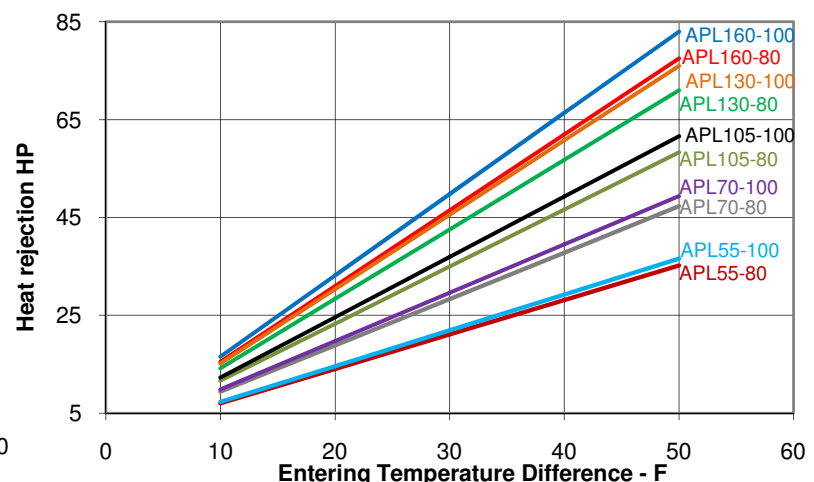
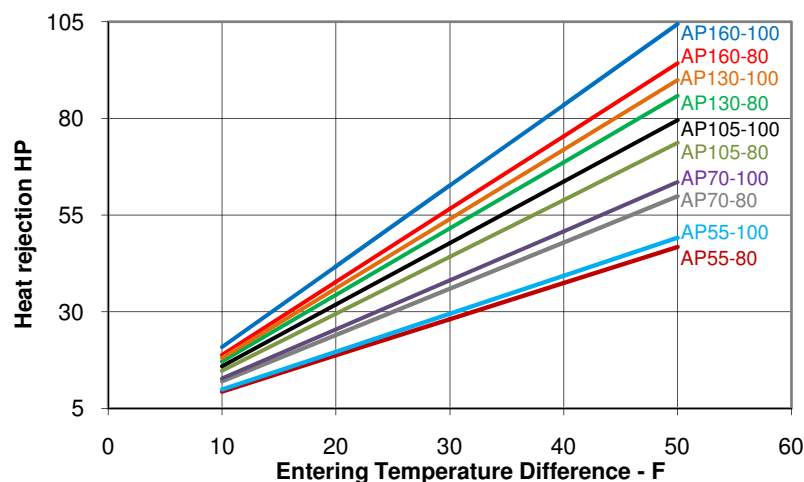


Specifications:

Pump Type	Low-Pressure Gerotor, Fixed Displacement, Self-Priming
AC Motor Voltages	208-230/460 @ 60 HZ 190/380 @ 50 HZ
Fluids	Mineral Oil To DIN 51524 Part 2
Max Pressure With Pump	225 PSI (15 BAR)
Pump Rated Suction Pressure	.7 TO 2.0 BAR
Viscosity	10 TO 2000 cSt
Ambient Temperature W/Pump	-20 TO 80 C
Max Oil Temperature W/Pump	80 C (176 F)



PERFORMANCE DATA AP/APL 55 TO AP/APL160



AP/APL SERIES TECHNICAL DATA

Model Number	Pump Size (CC) and Flow Rate (gpm) @ 60 HZ		Fan Motor/Pump Operating Speed @ 60 HZ (RPM)		Motor Output @ 60 HZ (HP)		Approx Noise Level (dB(A), 1 m)		Weight (lbs)
	AP	APL	AP	APL	AP	APL	AP	APL	
AP/APL10	20/8.9	20/5.9	1750 Pump/Fan	1140 Pump/Fan	2 Pump/Fan	2 Pump/Fan	73	71	125
AP/APL20	20/8.9	20/5.9	1750 Pump/Fan	1140 Pump/Fan	3 Pump/Fan	2 Pump/Fan	83	74	145
	40/18.2	40/12.3	1750 Pump/Fan	1140 Pump/Fan	3 Pump/Fan	2 Pump/Fan	83	74	159
AP/APL30	20/8.9	20/5.9	1750 Pump/Fan	1140 Pump/Fan	3 Pump/Fan	2 Pump/Fan	85	75	180
	40/18.2	40/12.3	1750 Pump/Fan	1140 Pump/Fan	3 Pump/Fan	2 Pump/Fan	85	75	195
AP/APL55	80/36.5	80/36.5	Fan - 1750 Pump - 1750	Fan - 1140 Pump - 1750	Fan - 2 Pump - 7.5	Fan - 0.5 Pump - 7.5	90	81	318
	100/45.1	100/45.1	Fan - 1750 Pump - 1750	Fan - 1140 Pump - 1750	Fan - 2 Pump - 7.5	Fan - 0.5 Pump - 7.5	90	81	323
AP/APL70	80/36.5	80/36.5	Fan - 1750 Pump - 1750	Fan - 1140 Pump - 1750	Fan - 2 Pump - 7.5	Fan - 0.75 Pump - 7.5	92	83	355
	100/45.1	100/45.1	Fan - 1750 Pump - 1750	Fan - 1140 Pump - 1750	Fan - 2 Pump - 7.5	Fan - 0.75 Pump - 7.5	92	83	360
AP/APL105	80/36.5	80/36.5	Fan - 1750 Pump - 1750	Fan - 1140 Pump - 1750	Fan - 3 Pump - 7.5	Fan - 1 Pump - 7.5	95	86	405
	100/45.1	100/45.1	Fan - 1750 Pump - 1750	Fan - 1140 Pump - 1750	Fan - 3 Pump - 7.5	Fan - 1 Pump - 7.5	95	86	410
AP/APL130	80/36.5	80/36.5	Fan - 1750 Pump - 1750	Fan - 1140 Pump - 1750	Fan - 5 Pump - 7.5	Fan - 1.5 Pump - 7.5	97	88	530
	100/45.1	100/45.1	Fan - 1750 Pump - 1750	Fan - 1140 Pump - 1750	Fan - 5 Pump - 7.5	Fan - 1.5 Pump - 7.5	97	88	535
AP/APL160	80/36.5	80/36.5	Fan - 1750 Pump - 1750	Fan - 1140 Pump - 1750	Fan - 7.5 Pump - 7.5	Fan - 2 Pump - 7.5	98	89	675
	100/45.1	100/45.1	Fan - 1750 Pump - 1750	Fan - 1140 Pump - 1750	Fan - 7.5 Pump - 7.5	Fan - 2 Pump - 7.5	98	89	680

All data based at nominal speed

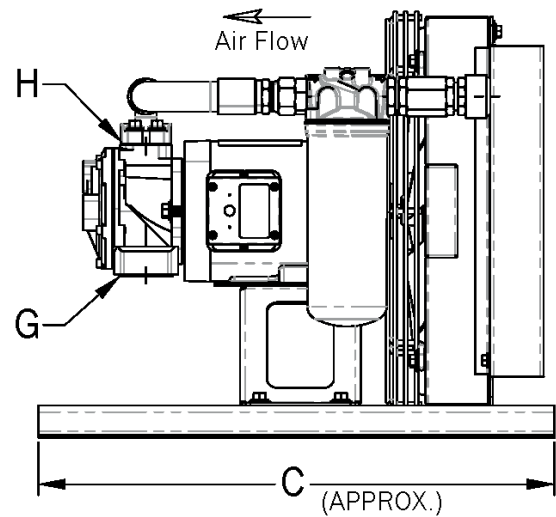
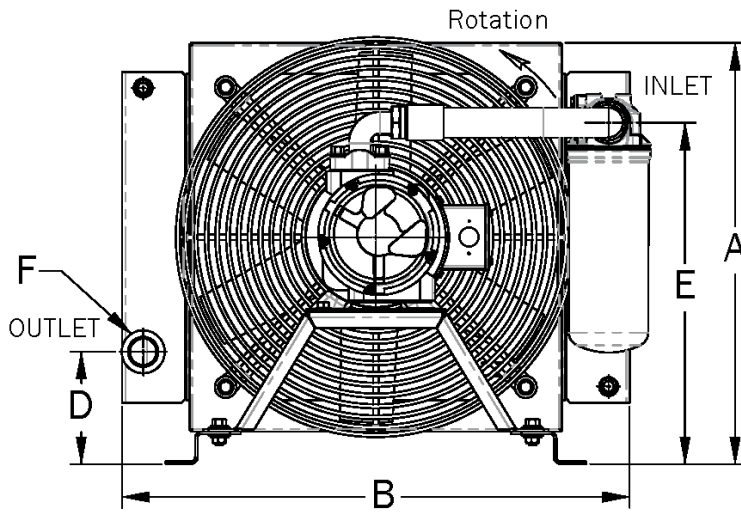
AP Coolers available with 575V, Explosion proof, and custom motors. Consult factory for more information.

AP/APL SERIES DIMENSIONS

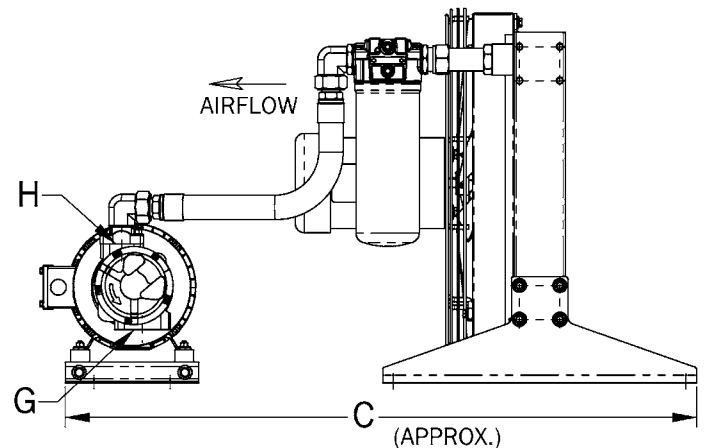
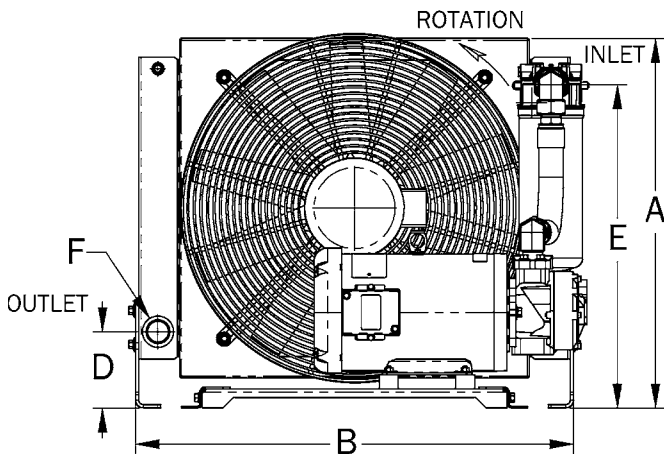
Model Number	A	B	C (Aprox.)	D	E	F	G	H
AP/APL10	15.20	17.70	24.00	4.50	11.50	#16 SAE 1 5/16-12 UN-2B	Code 61 1 1/2" SAE FLANGE	Code 61 1" SAE FLANGE
AP/APL20	18.90	23.60	24.00	4.50	15.20	#16 SAE 1 5/16-12 UN-2B	Code 61 1 1/2" SAE FLANGE	Code 61 1" SAE FLANGE
AP/APL30	23.40	27.60	24.00	4.50	19.70	#16 SAE 1 5/16-12 UN-2B	Code 61 1 1/2" SAE FLANGE	Code 61 1" SAE FLANGE
AP/APL55	26.30	32.30	38.00	7.84	19.50	#20 SAE 1 5/8-12 UN-2B	Code 61 2" SAE FLANGE	Code 61 1 1/4" SAE FLANGE
AP/APL70	31.40	38.20	38.00	10.70	23.00	#20 SAE 1 5/8-12 UN-2B	Code 61 2" SAE FLANGE	Code 61 1 1/4" SAE FLANGE
AP/APL105	33.20	39.00	48.40	10.70	24.00	#20 SAE 1 5/8-12 UN-2B	Code 61 2" SAE FLANGE	Code 61 1 1/4" SAE FLANGE
AP/APL130	37.60	40.90	50.70	9.80	29.30	#20 SAE 1 5/8-12 UN-2B	Code 61 2" SAE FLANGE	Code 61 1 1/4" SAE FLANGE
AP/APL160	38.40	43.60	46.20	9.90	31.30	#20 SAE 1 5/8-12 UN-2B	Code 61 2" SAE FLANGE	Code 61 1 1/4" SAE FLANGE

All dimensions in inch

COOLER DIMENSIONS AP/APL10 TO AP/APL30



COOLER DIMENSIONS AP/APL55 TO AP/APL160



ORDERING INFORMATION

MODEL CODE:
 MODEL SIZE:
 —
 PUMP CODE:
 —
 FILTER CODE:

MODEL CODE: AP = Standard APL = Low Noise

MODEL SIZE: Selected (AP10 to AP160)

PUMP CODE:
 20 = 20CC, Standard 8.9 GPM, Low Noise 5.9 GPM (Model 10/20/30)
 40 = 40CC, Standard 18.2 GPM, Low Noise 12.3 GPM (Model 20/30)
 80 = 80CC, Standard/Low Noise 36.5 GPM (Model 55/70/105/130/160)
 100 = 100CC, Standard/Low Noise 45.1 GPM (Model 55/70/105/130/160)

FILTER TYPE:
 00 = No Filter, No Hoses or Connectors
 41 = Spin-On, 9 Micron Media, 50 PSI Bypass, Visual Indicator, 35 GPM
 51 = Spin-On, 9 Micron Media, 50 PSI Bypass, Visual Indicator, 50 GPM
 NOTE: OTHER FILTERS AVAILABLE, CONSULT FACTORY FOR MORE INFORMATION

ORDER EXAMPLE: Offline AP20 Cooler, 17 HP, 18.2 GPM Pump, Spin-On Filter 35 GPM AP20-40-41