

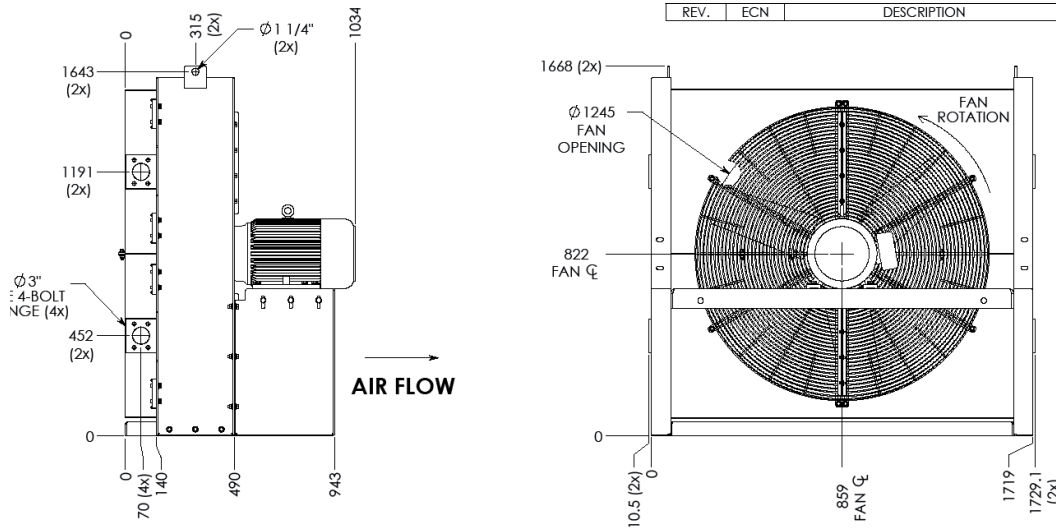
HIGH FLOW AFTERCOOLER



PRODUCT INFORMATION

- High Flows 5000 - 7000 CFM, Low Approach Temperatures, Reduces Dryer Size
- Two Separate Aftercoolers Mounted in Steel Frame, Reduces Thermal Fatigue
- Optional Hydraulic Motor, Low Noise Model Available
- Compact Aluminum Bar and Plate Design
- Provides Maximum Performance with Low Pressure Drop
- Competitive Pricing, Deliveries from Stock

COOLER DIMENSIONS



TECHNICAL DATA

INLET TEMP	5000 SCFM		6000 SCFM		7000 SCFM	
	APPROACH TEMP (F)	PRESS DROP PER COOLER (PSI)	APPROACH TEMP (F)	PRESS DROP PER COOLER (PSI)	APPROACH TEMP (F)	PRESS DROP PER COOLER (PSI)
150	2	1.7	3	2.4	5	3.2
200	4	1.7	7	2.4	10	3.2
250	6	1.7	10	2.4	14	3.2
300	8	1.7	13	2.4	19	3.2
350	10	1.7	16	2.4	23	3.2

SIZING/RATINGS BASED ON

- Max Pressure Rating - 250 PSI**
- Max Operating Temp - 350° F**
- Material - Aluminum**
- 100 PSIG Operating Pressure**
- 100° F Ambient Air**
- 1750 RPM Fan Speed**

ORDERING INFORMATION

CC5000 -

MOTOR CODE

- 0 = No Motor**
- 3 = Three Phase**
- 3EXP = Three Phase, Explosion Proof**
- 3L = Three Phase, Low Noise**
- 4 = Hydraulic Motor, 1.95 cu-in**