



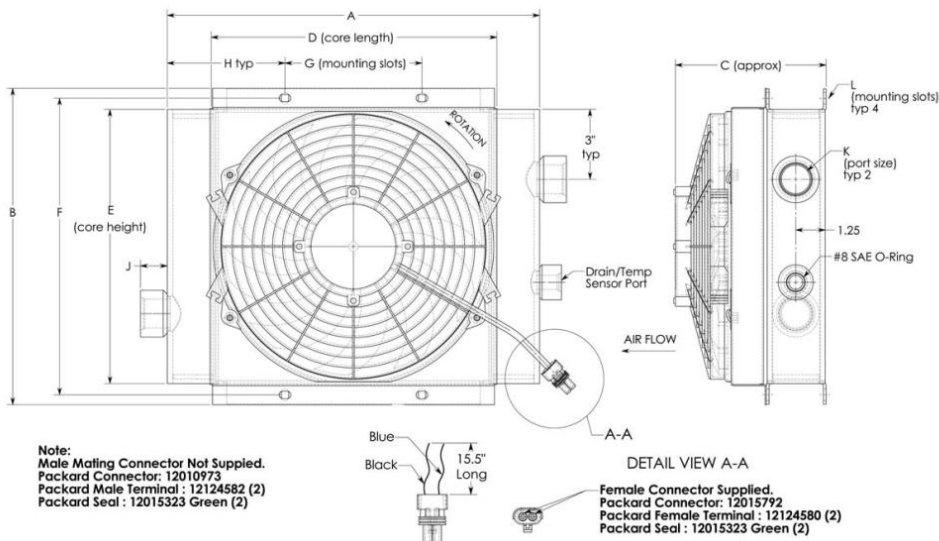
DC Fan After Coolers for Portable Compressors

DCS line of 12 and 24 volt DC fan oil coolers are also used as an after cooler for portable and truck mounted air compressor. Also offered are after coolers with hydraulic, air motors, and AC electric motors.



Model	Capacity*	Max Capacity**
DCS10	78 scfm	120 scfm
DCS16	123 scfm	200 scfm
DCS20	231 scfm	350 scfm
DCS30	284 scfm	375 scfm

*200°F inlet, 115°F outlet, 100°F ambient, 100 psig, ** 4 psi pressure drop



Model	Length	Height	Depth	Connections	Amp draw 12 V/24V	Weight
DCS10	14"	11 ¾"	6 ½"	#12 SAE	5.2/2.6	20 lbs
DCS16	16"	13 ½"	12"	#16 SAE	8.2/4.1	25 lbs
DCS20	19 ¾"	18 ½"	7 ¼"	#20 SAE	19.0/9.5	31 lbs
DCS30	23 ¾"	22 ¼"	7 ¼"	# 20 SAE	19.0/9.5	53 lbs

Options: -AD SAE to NPT adaptors installed.
 -MTG Mounting feet